

**PREMIUM CABINETS 700 L**  
**FRIGORIFERI PREMIUM 700L**

**CLASS C and A**

PNC	MODEL	REF	PAGE	DESCRIPTION	NOTE/ BRAND
110212	NPT71FRHP	c	3,4,5,7,8	1D REF.CAB670L R290-2°C DIG.A304 CLASS A	Zanussi
110213	NCT71FRHP	d	3,4,5,7,8	1D FREEZ.670L R290-22° DIG.A304 CLASS C	Zanussi
110581	ZRX71FRH	m	3,4,5,7,8	1-DOOR REF. 670L -2°C DIGITAL A304-R290 CLASS B	Zanussi
110582	ZRX71FFH	n	3,4,5,7,8	1-DOOR FREEZER 670L -22-15°C,DIGITAL-R290-CLASS C	Zanussi
110878	ZRX71FRH	q	3,4,5,7,8	1-DOOR REFRIGERATOR 670L -2/+10°C,DIGITAL WITH LIGHT-R290 CLASS B	Zanussi
110901	ZRX71FFHC	t	3,4,5,7,8	1-DOOR FREEZER 670L -22-15°C, DIGITAL WITH LIGHT CLASS C R290	Zanussi
110903	ZRX71FFHC	r	3,4,5,7,8	1-DOOR FREEZER 670L WITH INTERNAL LIGHT -22-15°C,DIGITAL-R290-CLASS C	Zanussi
110952	ZRX71FRH	m	3,4,5,7,8	1-DOOR REFRIGERATOR 670L -2/+10°C, DIGITAL, A304 - R290 CLASS B	Zanussi
110953	ZRX71FFH	n	3,4,5,7,8	1-DOOR FREEZER 670L -22-15°C, DIGITAL, A304, R290 - CLASS C	Zanussi
110977	ZRX142FFH	q	3,4,5,7,8	1-DOOR REFRIGERATOR 670L -2/+10°C, DIGITAL WITH LIGHT, A304 - R290 - CLASS B	Zanussi
110978	ZRX71FFHC	t	3,4,5,7,8	1-DOOR FREEZER 670L -22-15°C, DIGITAL WITH LIGHT, A304, R290 - CLASS C	Zanussi
111132	ZR471FR	z	3,4,5,7,8	1-DOOR REFRIGERATOR 670L 0+6°C, DIGITAL, S/S -R290 CLASS B	Zanussi
111133	ZR471FF	a1	3,4,5,7,8	1-DOOR FREEZER 670L -22-15°C, DIGITAL, S/S, R290 CLASS C	Zanussi
111134	ZR471FRA	b1	3,4,5,7,8	1-DOOR REFRIGERATOR 670L 0+6°C - R290 CLASS A	Zanussi
111135	ZRX71FRHA	c1	3,4,5,7,8	1-DOOR REFRIGERATOR 670L -2/+10°C - R290 CLASS A	Zanussi
190EUK	ERX71FRH	f1	3,4,5,7,8	1-DOOR REFRIGERATOR 670L -2/+10°C, DIGITAL	EPR
190EUL	ERX71FFH	g1	3,4,5,7,8	1-DOOR FREEZER 670L -22-15°C, DIGITAL, A	EPR
725162	ERX71FFHC	u	3,4,5,7,8	1-DOOR FREEZER 670L -22-15°C, DIGITAL WITH LIGHT CLASS C R290	EPR
725184	ERX71FFHC	s	3,4,5,7,8	1-DOOR FREEZER 670L WITH INTERNAL LIGHT -22-15°,DIG(R290)-CLASS C-R290	EPR
725350	ERX71FFHC	u	3,4,5,7,8	1-DOOR FREEZER 670L -22-15°C, DIGITAL WITH LIGHT, A304, R290 - CLASS C	EPR
725356	ERX71FRH	o	3,4,5,7,8	1-DOOR REFRIGERATOR 670L -2/+10°C, DIGITAL, A304 - R290 CLASS B	EPR
725357	ERX71FFH	p	3,4,5,7,8	1-DOOR FREEZER 670L -22-15°C, DIGITAL, A304 - R290 - CLASS C	EPR
725395	ERX71FRH	q	3,4,5,7,8	1-DOOR REFRIGERATOR 670L -2/+10°C,DIGITAL WITH LIGHT, A304 - R290 - CLASS B	EPR

**Index**

Cabinet and door/Mobile e porta	3
Cooling unit assembly/Gruppo refrigerante	4,5
Remote cooling unit assembly/Gruppo refrigerante remoto	6
Control panel/Pannello comandi	7,8
Spare parts list/Lista ricambi	9-15

**Page**

3	
4,5	
6	
7,8	
9-15	Bold= last change/Grassetto =ultima modifica

Rev. 9

From Ser. Nr.... Up to Ser. Nr....	Ed. 2016/05/01 Update 2024/03	Page: 1	<b>Doc No: 560156</b>
---------------------------------------	----------------------------------	---------	-----------------------

**PREMIUM CABINETS 700 L**  
**FRIGORIFERI PREMIUM 700L**

**CLASS C and A**

PNC	MODEL	REF	PAGE	DESCRIPTION	NOTE/ BRAND
725396	RE471FR	x	3,4,5,7,8	1-DOOR REFRIGERATOR 670L 0+6°C, DIGITAL, S/S -R290 CLASS B	EPR
725397	RE471FF	y	3,4,5,7,8	1-DOOR FREEZER 670L -22-15°C, DIGITAL, S/S, R290 CLASS C	EPR
725456	RE471FRA	d1	3,4,5,7,8	1-DOOR REFRIGERATOR 670L 0+6°C, DIGITAL, S/ S+WHEELS -R290 CLASS A - UK	EPR
725457	ERX71FRHA	e1	3,4,5,7,8	1-DOOR REFRIGERATOR 670L -2+10°C, DIGITAL, A304 - R290 CLASS A	EPR
727633	ESP71FRCHP	e	3,4,5,7,8	1D REF.CAB670L R290-2°C DIG.A304 CLASS A	EPR
727634	ESP71FFCHP	f	3,4,5,7,8	1D FREEZ.670L R290-22°C DIG.A304 CLASS C	EPR
727808	ERX71FRH	o	3,4,5,7,8	1-DOOR REFRIGERATOR 670L -2+10°C,DIG-R290-CLASS B-R290	EPR
727809	ERX71FFH	p	3,4,5,7,8	1-DOOR FREEZER 670L -22-15°,DIG(R290)-CLASS C-R290	EPR
727996	ERX71FRH	q	3,4,5,7,8	1-DOOR REFRIGERATOR 670L -2/+10°C,DIGITAL WITH LIGHT-R290 CLASS B	EPR
728883/ P71652	CTE71FRCHP	b	3,4,5,7,8	1D REF.CAB670L-2°C DIG.A304 R290 CLASS A	Alpen
728884/ P71653	CTE71FFCHP	a	3,4,5,7,8	1D FREEZ.670L-22° DIG.A304 R290 CLASS C	Alpen
728924	CTE71FRCHPW	g	3,4,5,7,8	1-DOOR REFRIGERATED CABINET 670L-2°+10°C DIG. A304 R290 CLASS A+WHEELS	Alpen
728925	CTE71FFCHPW	h	3,4,5,7,8	1D FREEZ.670L-22° DIG.A304 R290 CLASS C	Alpen
729525	ARX71FRH	q	3,4,5,7,8	1-DOOR REFRIGERATOR 670L -2/+10°C,DIGITAL WITH LIGHT-R290 CLASS B	Alpen
729551	ARX71FRH	i	3,4,5,7,8	1-DOOR REFR 670L -2/+10°C,DIG (R290)-CLASS B	Alpen
729552	ARX71FFH	l	3,4,5,7,8	1DR FREEZ.670L -22-15°,DIG(R290)-CLASS C	Alpen
729671	ARX71FRH	q	3,4,5,7,8	1-DOOR REFRIGERATOR 670L -2+10°C, DIGITAL WITH LIGHT, A304 - R290 - CLASS B	Alpen
729672	ARX71FRH	i	3,4,5,7,8	1-DOOR REFRIGERATOR 670L -2+10°C, DIGITAL - R290 - CLASS B	Alpen
729673	ARX71FFH	l	3,4,5,7,8	1-DOOR FREEZER 670L -22-15°C, DIGITAL, A304 - R290 - CLASS C	Alpen
190CD7	ERX71FRH	j	3,4,5,7,8	1-DOOR REFRIGERATOR 670L -2+10°C,DIG-R290-CLASS B-R290	EPR
190CD8	ERX71FFH	k	3,4,5,7,8	1-DOOR FREEZER 670L -22-15°,DIG(R290)-CLASS C-R290	EPR
190D0L	ERX71FFH	v	3,4,5,7,8	1-DOOR FREEZER 670L -22-15°,DIG(R290)-CLASS C-R290	EPR
190D0M	ERX71FRH	w	3.6.7.8	1-DOOR REFRIGERATOR 670L -2/+10°C,DIGITAL WITH LIGHT-R290 CLASS B	EPR

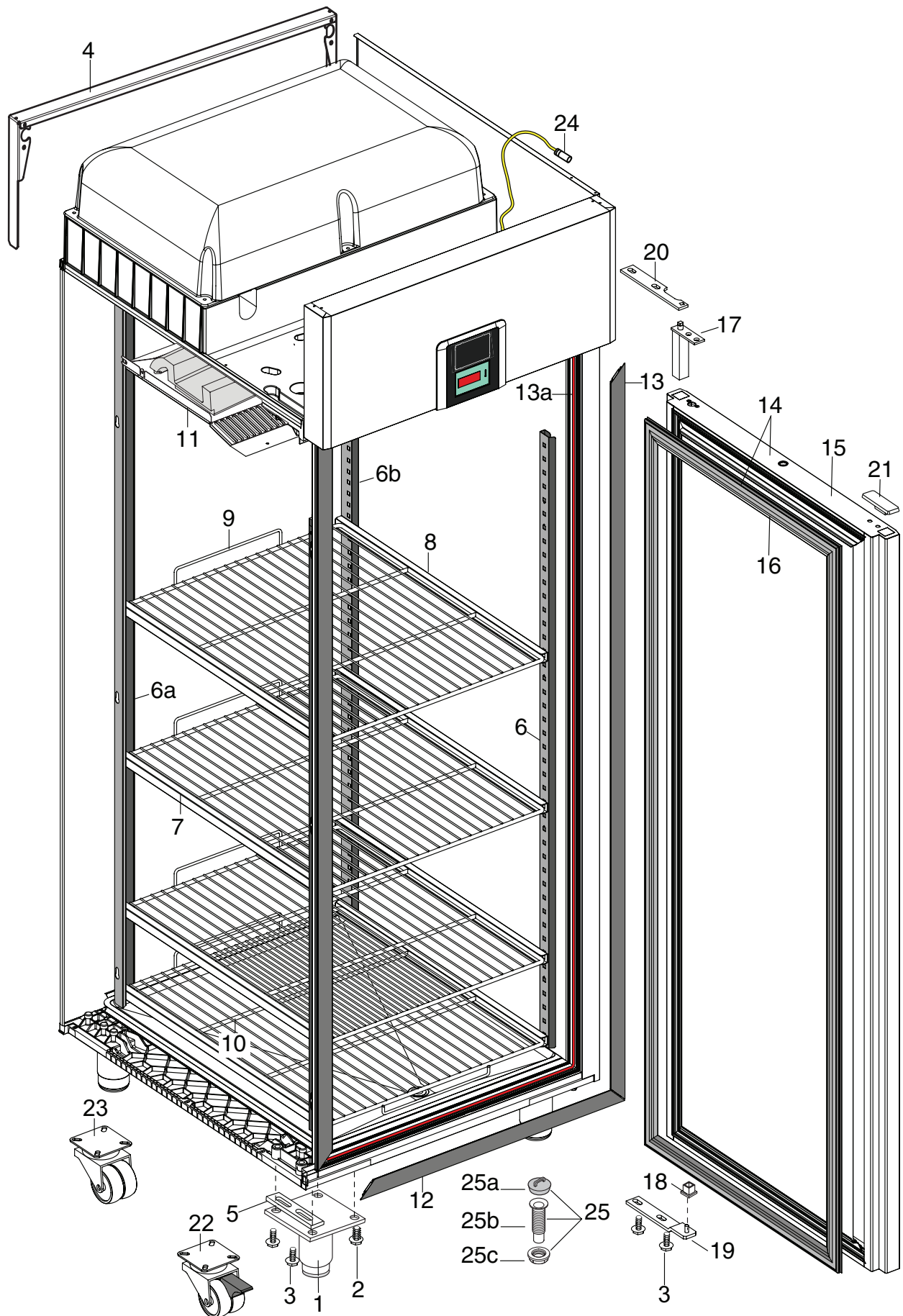
**Index**

Cabinet and door/Mobile e porta	2
Cooling unit assembly/Gruppo refrigerante	3,4
Remote cooling unit assembly/Gruppo refrigerante remoto	5
Control panel/Pannello comandi	6,7
Spare parts list/Lista ricambi	8,13

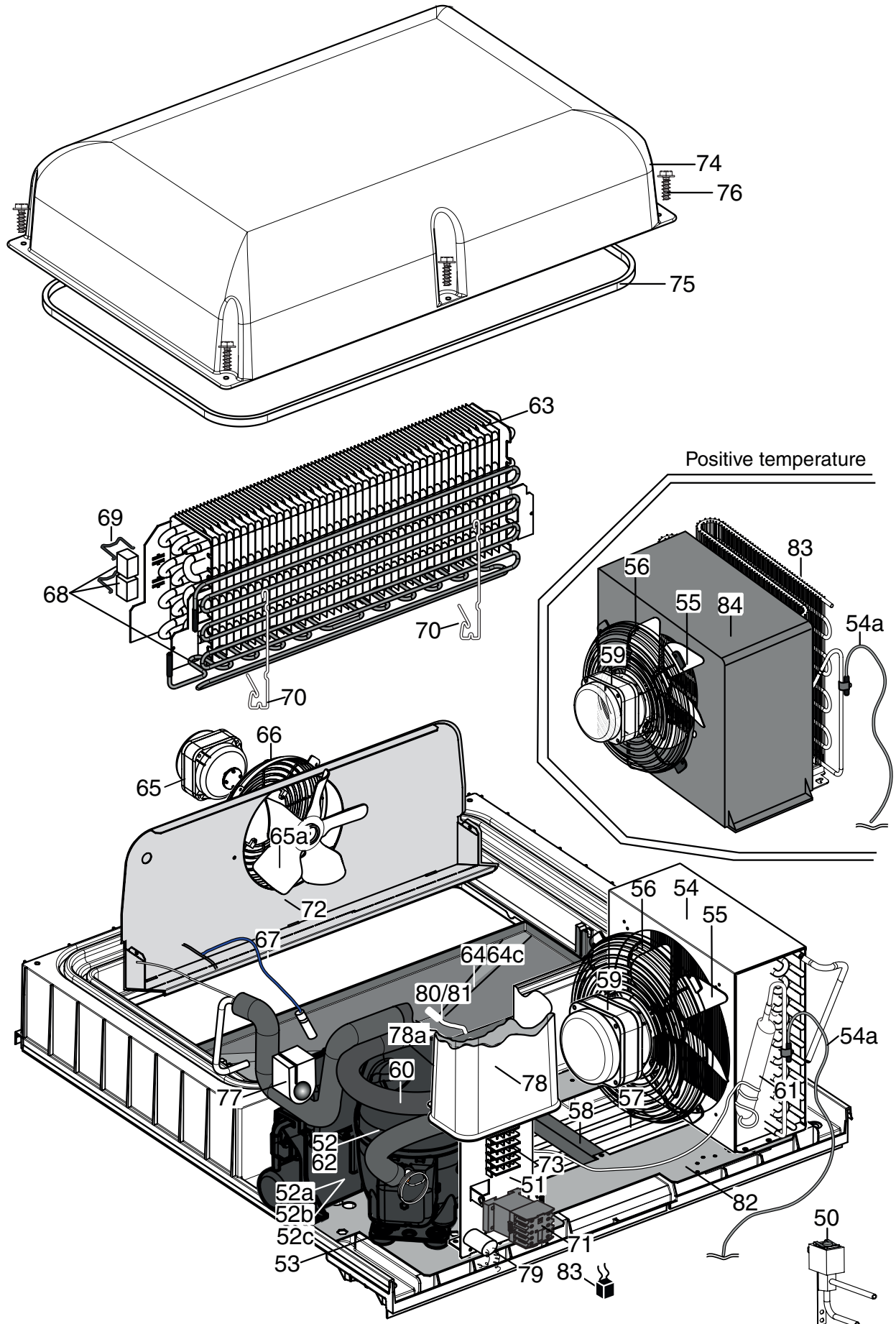
Bold= last change/Grassetto =ultima modifica

Rev:

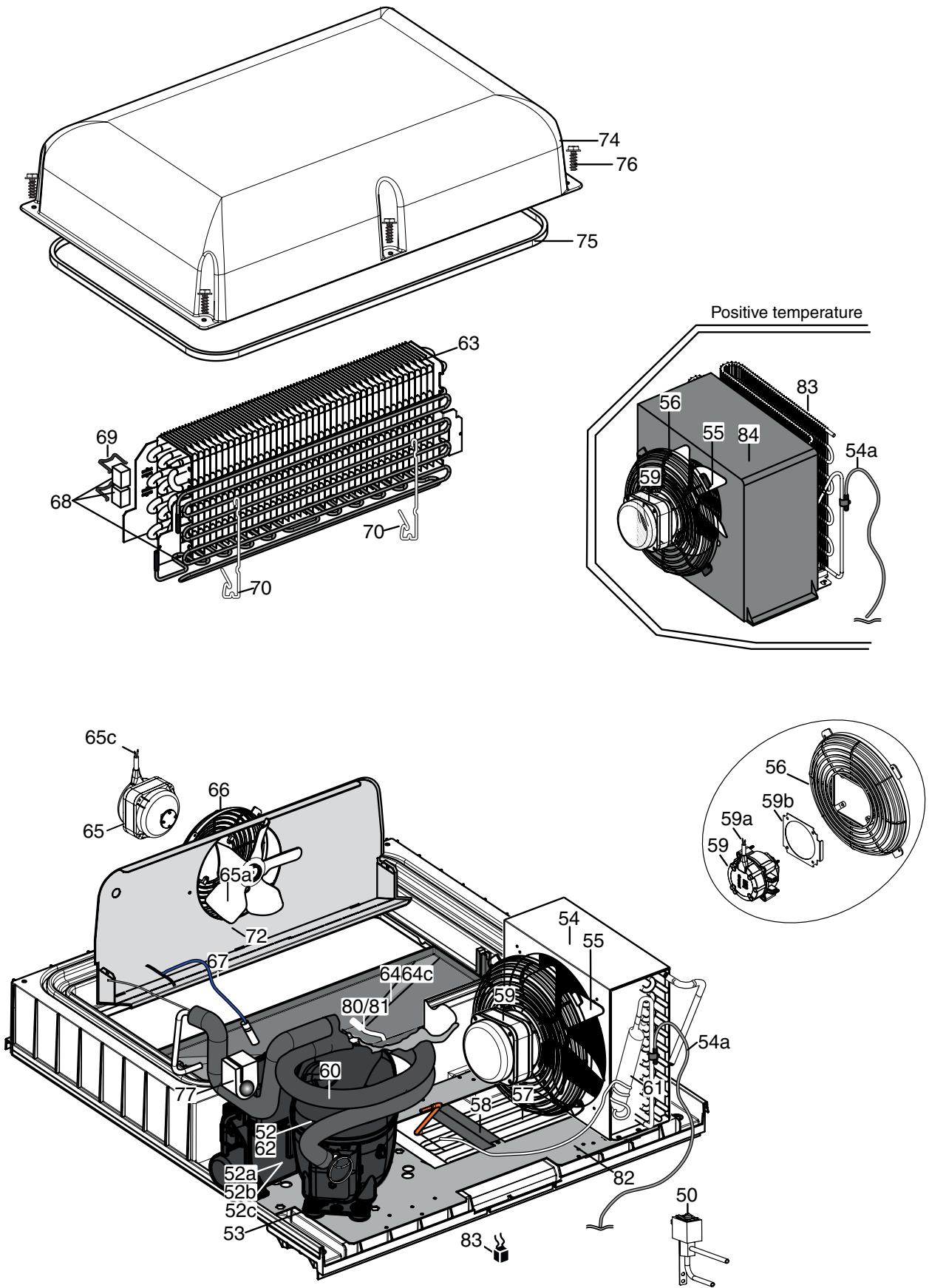
From Ser. Nr.... Up to Ser. Nr....	Ed. 2016/05/01 Update 2024/03	Page: 2	<b>Doc No: 560156</b>
---------------------------------------	----------------------------------	---------	-----------------------



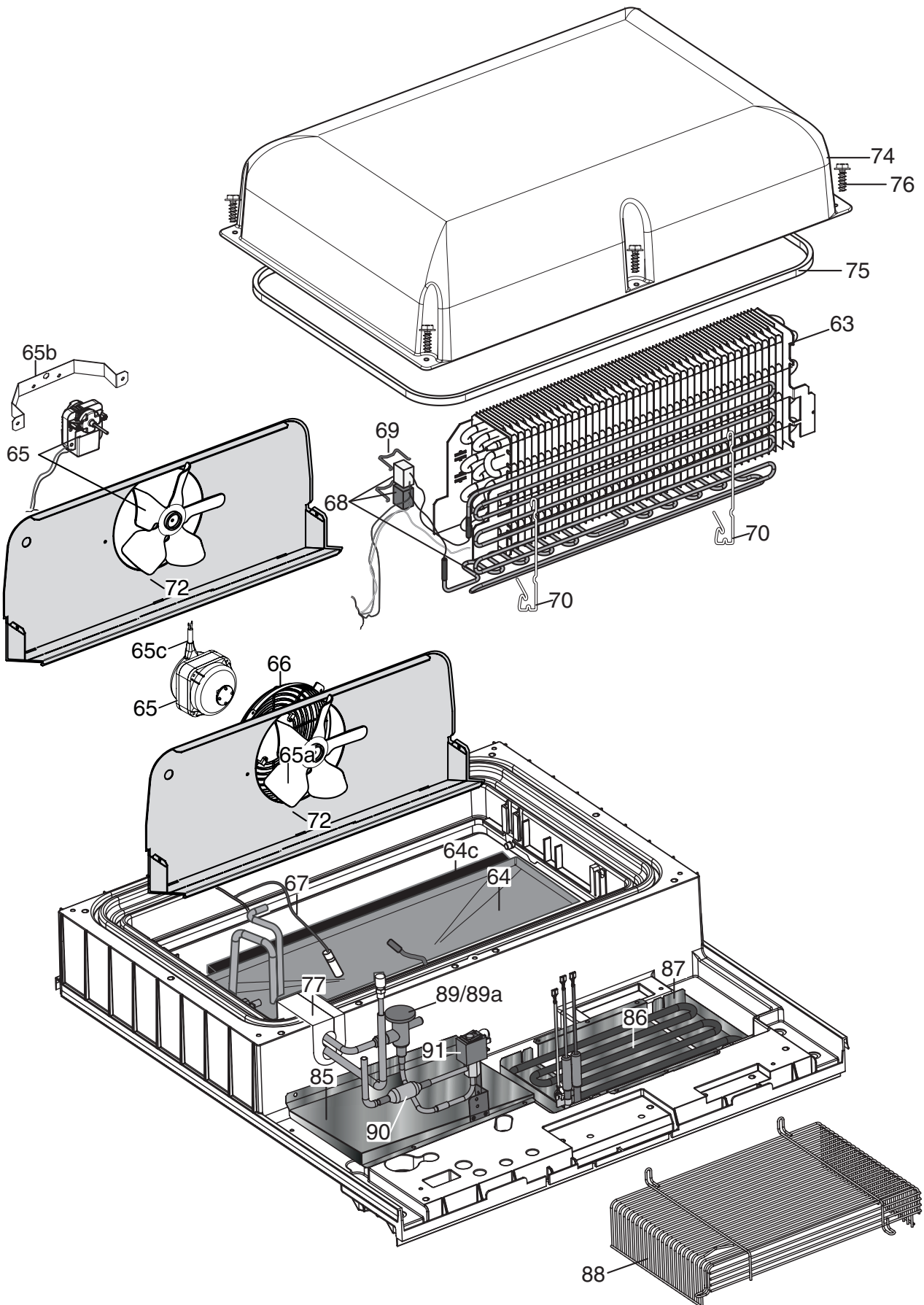
# COOLING UNIT ASSEMBLY UP TO WK 37/2021



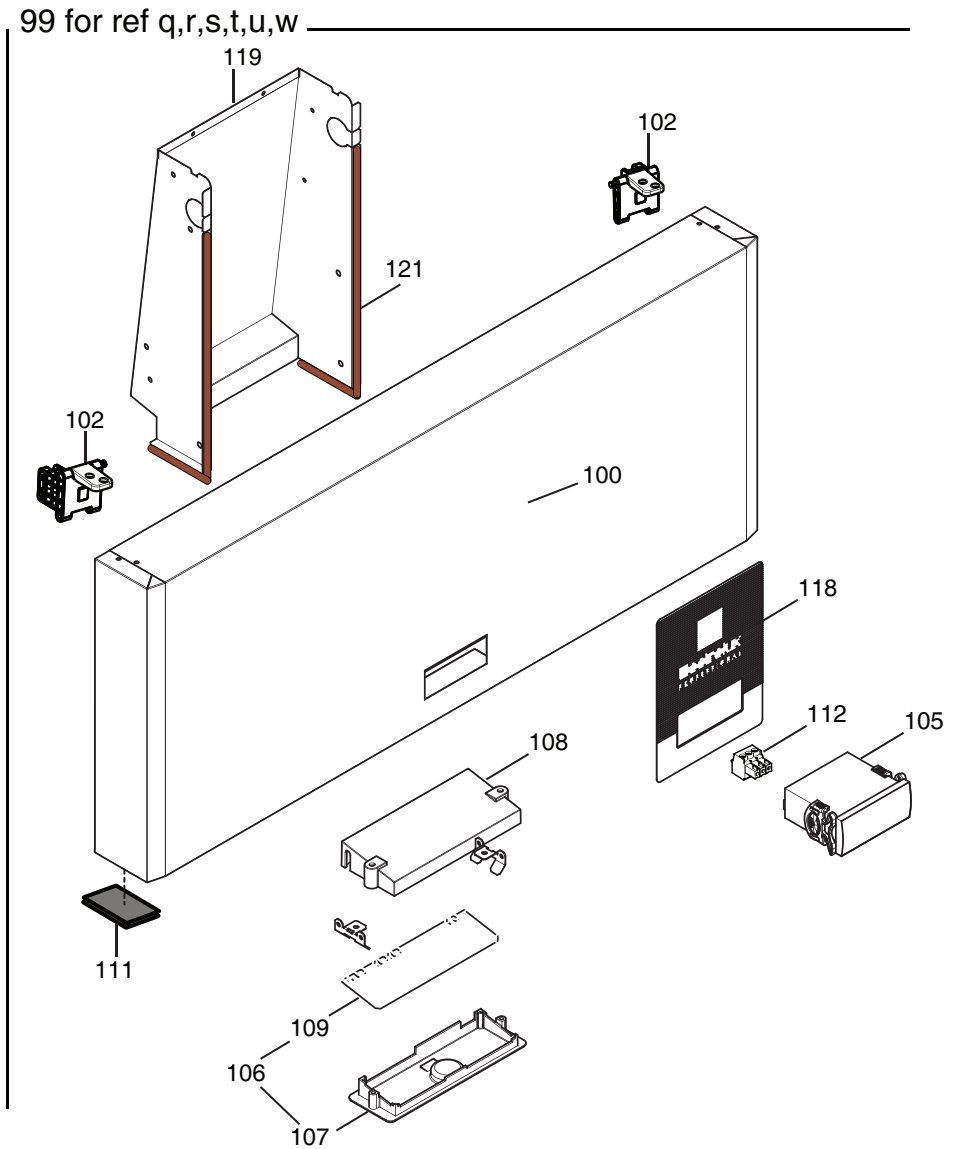
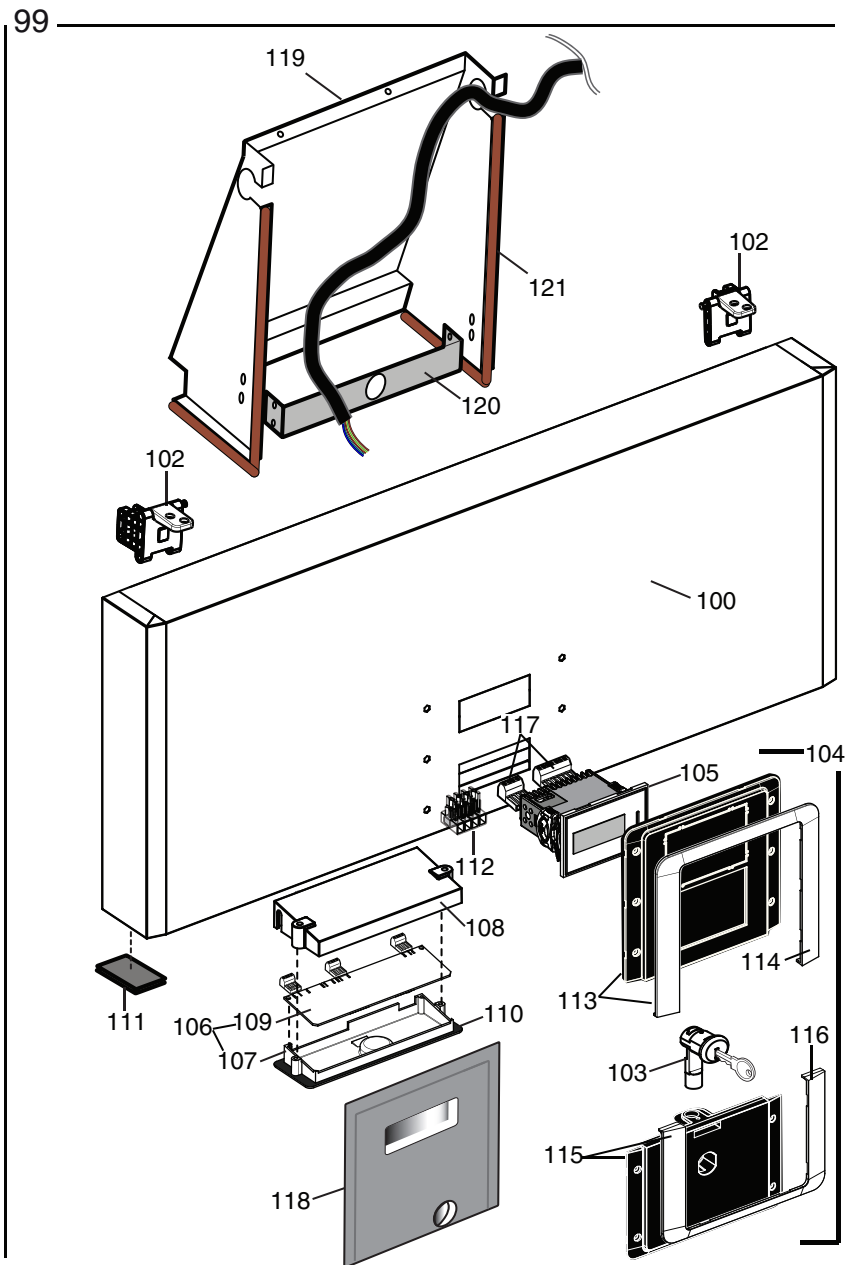
# COOLING UNIT ASSEMBLY FROM WK 2021/38



# REMOTE COOLING UNIT ASSEMBLY

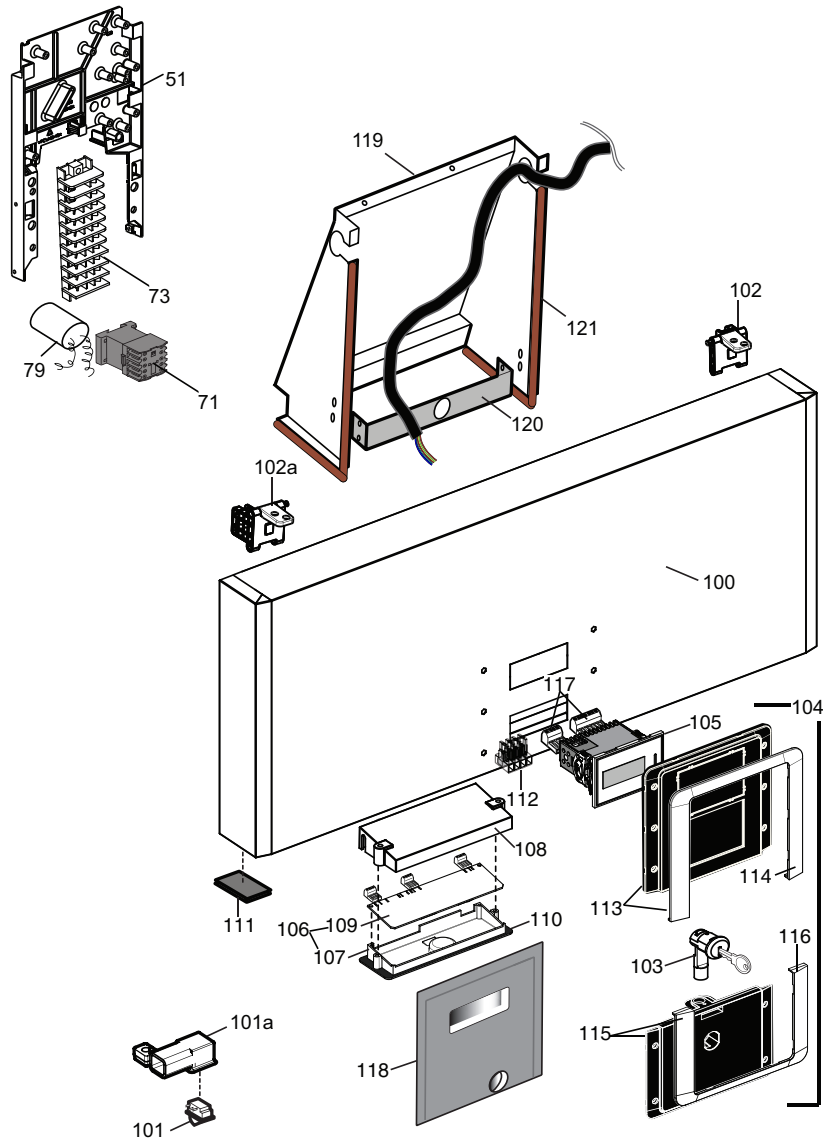


# CONTROL PANEL UP TO WK 37/2021

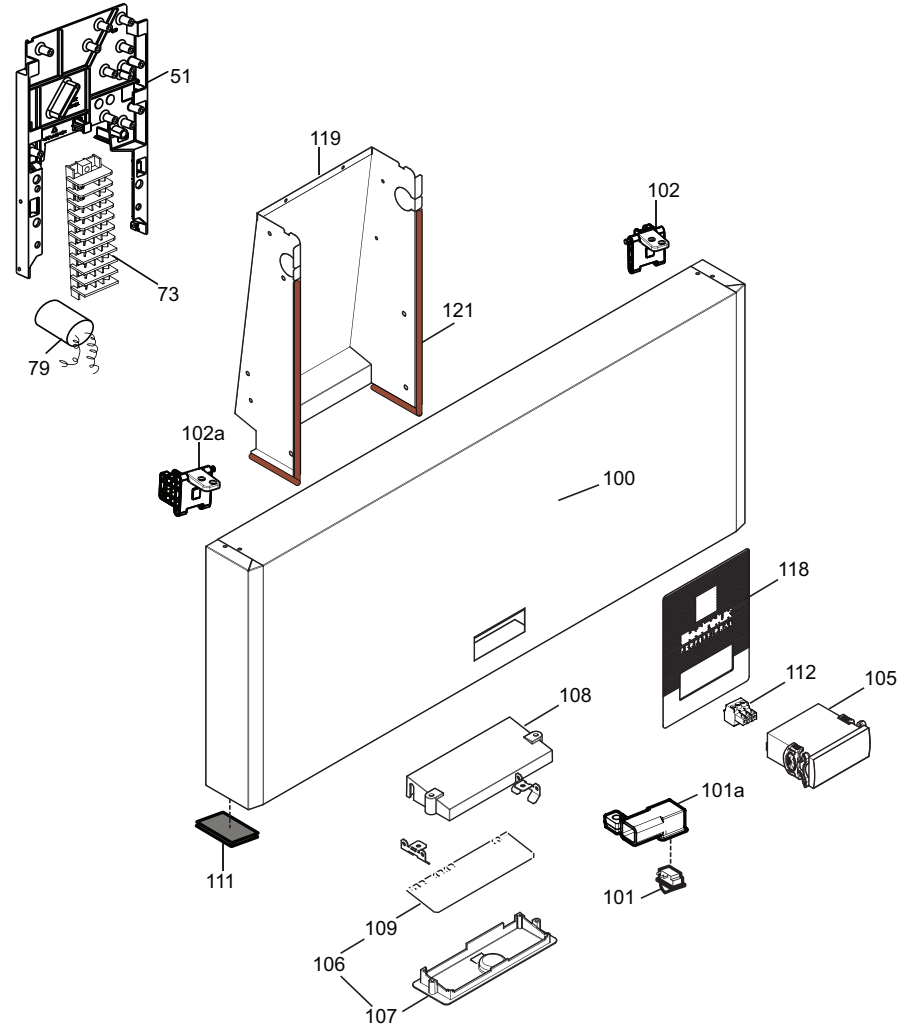


# CONTROL PANEL FROM WK 2021/38

99



99 for ref q,r,s,t,u,w



PREMIUM CABINETS					CLASS C and A	
Pos	Code	Factory code	Description	Descrizione	Ref/notes	
Pag. 2		Cabinets and door		Mobile e porta	Illus:560156_p2	
1	093243	541R05001	Piedino	Foot		
2	093245	217555204	Vite per plastica per piedino	Screw ( use by fix foot)		
3	093246	518708601	Vite M8x20 per fiss. staffa sup/inf	Screw M8X20 ( use by fix bracket)		
4		0502R91800	Staffa supporto fianchi	Side support (upper)		
5	093248	546R22800	Distanziale per piede	Foot spacer		
6	093355	501R36201	Cremagliera anteriore	Front Rack	a,b,c,d,e,f,g,h	
6	093249	501R38201	Cremagliera anteriore	Front Rack	i,j,k,l,m,n,o,p,q,r,s,v,w, x,y,z,a1,b1,c1,d1,e1,f1, g1	
6a	093356	501R48300	Cremagliera posteriore dx 304	Right back rack	a,b,c,d,e,f,g,h	
6b	093357	501R36101	Cremagliera posteriore sx 304	Left back rack	a,b,c,d,e,f,g,h	
7	093358	501R48000	Guida Sx 304	Left support 304	a,b,c,d,e,f,g,h	
7	093250	501R47900	Guida Sx 430	Left support 430	i,j,k,l,m,n,o,p,q,r,s,v,w, x,y,z,a1,b1,c1,d1,e1,f1, g1	
8	093359	501R48200	Guida Dx 304	Right support 304	a,b,c,d,e,f,g,h	
8	093251	501R48100	Guida Dx 430	Right support 430	i,j,k,l,m,n,o,p,q,r,s,v,w, x,y,z,a1,b1,c1,d1,e1,f1, g1	
9	081883	0514702003	Griglia 2/1 aisi 304 530x650	Grid 2/1 aisi 304 530x650	a,b,g,h	
9	093252	0514R10600	Griglia 2/1 rilsan 530x650	Grid 2/1 rilsan 530x650	c,d,e,f,i,j,k,l,m,n,o,p,q, r,s,v,w,x,y,z,a1,b1,c1, d1,e1,f1,g1 x2,x4	
10	094231	0514R17500	Griglia di fondo aisi 304	Bottom grid aisi 304	a,b,g,h	
10	093253	0514R12200	Griglia di fondo rilsan	Bottom grid rilsan	c,d,e,f,i,j,k,l,m,n,o,p,q, r,s,v,w,x,y,z,a1,b1, c1,d1,e1,f1,g1	
11	097108	0875R37600	Carter interno BT	Internal protection BT	a,d,f,h,k,l,n,p,r,s,v,y,a1,g1	
11		0875R37401	Carter interno CL	Internal protection CL	b,c,e,g,i,j,m,o,q,w,x,z, b1,c1,d1,e1,f1	
12	093254	832R09001	Cornice orizzontale	Orizzontal frame		
13	093255	832R09101	Cornice verticale	Vertical frame		
13a	094842	0617R13300	Cavo riscaldante cornice 8.9 W 2W/M	Heating cable frame 8.9 W	b,c,e,g	
13a	094841	0617R13200	Cavo riscaldante cornice 22,5 W 5W/M	Heating cable frame 22,5 W	a,d,f,h,n,l,p,t,u,v,y,a1,g1	
13a	093330	0617R06701	Cavo riscaldante cornice	Heating cable frame	k,r,s	
14		0881R39503	Porta con guarnizione e cerniere	Gasket, hinge and door	a,d,f,h	
14	095820	0881R49002	Porta con guarnizione e cerniere	Gasket, hinge and door	b,c,e,g	
14		882R49701	Porta con guarnizione e cerniere	Gasket, hinge and door	i,j,m,o,c1,e1,f1	
14		882R50000	Porta con guarnizione e cerniere	Gasket, hinge and door	k,l,n,p,r,s,v,g1	
14		883R27800	Porta con guarnizione e cerniere	Gasket, hinge and door	q,w	
14		883R54600	Porta con guarnizione e cerniere	Gasket, hinge and door	t,u	
14		<b>883R85000</b>	<b>Porta con guarnizione e cerniere</b>	<b>Gasket, hinge and door</b>	<b>x,z,b1,d1</b>	
14		<b>883R85400</b>	<b>Porta con guarnizione e cerniere</b>	<b>Gasket, hinge and door</b>	<b>y,a1</b>	
15	0TTAQ9	0835R49903	Porta	Door	a,d,f,h	
15		0835R51102	Porta	Door	b,c,e,g	
15	093581	0835R27407	Porta	Door	i,j,m,o,c1,e1,f1	
15	093311	0835R24208	Porta	Door	k,l,n,p,r,s,v,g1	
15		0835R75600	Porta	Door	q,w	
15		0835R75800	Porta	Door	t,u	
15	<b>096028</b>	<b>0835R27507</b>	<b>Porta</b>	<b>Door</b>	<b>x,z,b1,d1</b>	
15	<b>093310</b>	<b>0835R24408</b>	<b>Porta</b>	<b>Door</b>	<b>y,a1</b>	
16	094152	0548R08000	Guarnizione porta	Gasket door		
17	082219	835704001	Cerniera porta	Hinge door		
18	081654	544700601	Boccola per porta	Door bush		

PREMIUM CABINETS					CLASS C and A
Pos	Code	Factory code	Description	Descrizione	Ref/notes
19	094849	0833R35400	Staffa inferiore porta	Lower stirrup door	
20	094848	0505R24400	Staffa superiore porta	Upper stirrup door	
21	093271	541R05301	Tappo per cerniere	Hole hinge plug	
22	087110	0835739900	Ruota rotante con freno	Wheel with brake	g,h
<b>22</b>	<b>093575</b>	<b>835R24900</b>	<b>Ruota rotante con freno</b>	<b>Wheel with brake</b>	<b>d1</b>
23	087111	0835740000	Ruota rotante	Wheel	g,h
<b>23</b>	<b>093574</b>	<b>835R24800</b>	<b>Ruota rotante</b>	<b>Wheel</b>	<b>d1</b>
24	093371	646R10900	Sonda ambiente	Ambient probe	a,b,c,d,e,f,g,h
25	094985	832R22400	Ass. piletta di scarico condensa	Discharge pipe water condenser ass.y	b,c,e,g
25a	085535	0545733700	Tappo per piletta	Discharge pipe water plug	b,c,e,g
25b	094847	0546R37700	Piletta di scarico condensa	Discharge pipe water condenser	b,c,e,g
25c	081797	0544701400	Controdado	Locknut	b,c,e,g
Pag. 3		Cooling unit		Gruppo refrigerante	Illustr:50156_p3
50	094435	0646R10502	Elettrovalvola WB4,5 6W 220/230V	Solenoid valve	a,d,f,h,k,l,n,p,r,s,v,w,y, a1,g1
51		502R24300	Supporto impianto elettrico	Electrical wiring support	Up to 2021/37
51	097284	546R43401	Supporto impianto elettrico	Electrical wiring support	From 2021/38
52	094840	0684R11900	Compres. NEU2168U 220/50 hz R290	Compressor (NEU2168U ) 220/50hz	a,d,f,h,k,l,n,p,r,s,v,y,a1
52	093425	0684R05700	Compres. EMT6144U 220/50 hz R290	Compress. EMT6144U 220/50 hz R290	b,c,e,g,h,i,j,m,o,q,x,z
<b>52</b>	<b>095045</b>	<b>0684R12200</b>	<b>Compres. EMBRACO EMC3119U R290 230-50HZ</b>	<b>Compress. EMBRACO EM-C3119U R290 230-50HZ</b>	<b>b1,c1,d1,e1</b>
<b>52</b>	<b>097594</b>	<b>0684R16200</b>	<b>Compres. NEU2168U 220/50 hz R290</b>	<b>Compressor (NEU2168U ) 220/50hz</b>	<b>g1</b>
<b>52</b>	<b>097593</b>	<b>0684R16300</b>	<b>Compres. EMT6144U 220/50 hz R290</b>	<b>Compress. EMT6144U 220/50 hz R290</b>	<b>f1</b>
52a	*	*	Relè avviamento	Start relay	
52b	*	*	Protettore	Protector	
52c	*	*	Condensatore di avviamento	Start capacitor	
53		0502R19300	Supporto per compressore	Support for compressor	
54	093333	830R04900	Condensatore 4R 11T	Condenser 4R 11T	a,d,f,h,k,l,n,p,r,s,v,y, a1,g1
54A	092360	646R09400	Sonda condensatore	Probe condenser	a,b,c,d,e,f,g,h
55	093365	0511R01000	Ventola 230-34	Fan 230-34	
<b>55</b>	<b>09A1NF</b>	<b>0511R00800</b>	<b>Ventola 230-25</b>	<b>Fan 230-25</b>	<b>b1,c1,d1,e1</b>
56	089755	0546709500	Protezione ventola 230	Fan protection 230	
57	095075	0515R21201	Serpentina evap. acqua di condensa	Evaporation water pipe	a,d,f,h,k,l,n,p,r,s,v,y, a1,g1
57	093259	0515R12701	Serpentina evap. acqua di condensa	Evaporation water pipe	b,c,e,g,i,j,m,o,q,x,z, b1,c1,d1,e1,f1
58	093260	543R09300	Fissaggio serpentina	Stopper pipe	
59	096482	0682R12700	Ventilatore condensatore	Condenser ventilator	
59a	097055	635R37900	Cablaggio ventilatore	Fan wiring	From 2021/38
59b	096660	504R15800	Lamiera protezione ventola	Fan condenser protection	
60	094846	0858R15000	Scambiatore	Heat exchanger	a,d,f,h,k,l,n,p,r,s,v,y, a1,g1
60	096488	0858R06900	Scambiatore	Heat exchanger	b,c,e,g,i,j,m,o,q,x,z, b1,c1,d1,e1,f1
From Ser. Nr.... Up to Ser. Nr....					
Ed. 2016/05/01 Update 2024/03		Page: 10		Doc No: 560156	

PREMIUM CABINETS					CLASS C and A
Pos	Code	Factory code	Description	Descrizione	Ref/notes
61	084078	0805729802	Filtro Gr 40	Dehidrator filter Gr 40	a,d,f,h,i,l,k,n,p,r,s,v,y, a1,g1
61	099949	0858R00100	Filtro Gr 15	Dehidrator filter Gr 15	b,c,e,g,j,i,m,o,q,x,z, b1,c1,d1,e1,f1
62	0A8171	A02021800	Valvola per compressore	Compressor valve (charge or disch.)	
63	094576	0830R10600	Evaporatore 3R 8T	Evaporator 2R 8T	
63	093323	0830R03902	Evaporatore 3R 8T	Evaporator 2R 8T	w
64	093278	833R21201	Vaschetta evaporatore acciaio	Evaporator tray steel	a,d,f,h,k,l,n,p,r,s,v,w,y, a1,g1
64	093469	0546R19201	Vaschetta evaporatore plastica	Evaporator tray plastic	b,c,e,g,i,j,m,o,q,x,z,b1, c1,d1,e1,f1
64c	093409	548R07200	Isolante per vaschetta evaporatore	Insulation for evaporator tray	a,d,f,h,k,l,n,p,r,s,v,y, a1,g1
65	096661	0682R12800	Ventilatore evaporatore 1800 EBM	Evaporator fan 1800 EBM	a,d,f,h,k,l,n,p,r,s,t,u,v,y, a1,g1
65	093367	682R05800	Ventilatore evaporatore	Evaporator fan	b,c,e,g,i,j,m,o,q,w up to 2021/37
65	096231	0682R12600	Ventilatore evaporatore	Evaporator fan	b,c,e,g,i,j,m,o,q,w,x,z b1,c1,d1,e1,f1 from 2021/38
65a	093411	0511R01100	Ventola 154 34°	Fan 154 34°	a,d,f,h,k,l,n,p,r,s,t,u,v,y, a1,g1
65a	093783	0511R01200	Ventola 200 28°	Fan 200 28°	b,c,e,g,i,j,m,o,q,w,x,z, b1,c1,d1,e1,f1
65c	097055	635R37900	Cablaggio ventilatore	Fan wiring	a,d,f,h,k,l,n,p,r,s,t,u,v,y, a1 from 2021/38
65c	097055	635R37900	Cablaggio ventilatore	Fan wiring	b,c,e,g,i,j,m,o,q,w,x,z, b1,c1,d1,e1,f1 from 2021/38
66	093412	514R12300	Griglia ventilatore	Fan grid	a,d,f,h,k,l,n,p,r,s,t,u,v,y, a1,g1
66	089770	0546709600	Griglia ventilatore	Fan support	b,c,e,g,i,j,m,o,q,w,x,z, b1,c1,d1,e1,f1
67	092173	0646R06700	Sonda cella	Cell probe	
68	094844	0617R13500	Resistenza con termostati 400W	Heating element with thermostat	a,d,f,h,i,l,k,n,p,r,s Up to 2021/37
68	094843	0617R13400	Resistenza con termostati 200W	Heating element with thermostat	b,c,e,g,i,j,m,o,q,x,z, b1,c1,d1,e1,f1
68		0617R25500	Resistenza con termostati	Heating element with thermostat	a,d,f,h,i,l,n,p,t,v,y,a1,g1 From 2021/38
68	097286	0617R25400	Resistenza con termostati	Heating element with thermostat	w
69	093487	0514R11600	Molla per fissaggio termostati	Thermostat spring	
70	093516	0514R11200	Molla per fissaggio resistenza 3R	Heating element spring 3R	a,d,f,h,k,l,n,p,r,s,v,y, a1,g1
70	093508	0514R11102	Molla per fissaggio resistenza 3R	Heating element spring 3R	b,c,e,g,i,j,m,o,q,x,z,b1, c1,d1,e1,f1
70	093368	0514R10801	Molla per fissaggio resistenza 2R	Heating element spring 2R	w
71	093848	0648R06300	Relè 66.82.8.230.0001	Relay 66.82.8.230.0001	a,d,f,h,j,k,l,n,p,r,s,v,y, a1,g1
72	094168	0501R71901	Convogliatore evaporatore 1 foro	Evaporator conveyor 1 hole	a,d,f,h,k,l,n,p,r,s,t,u,v,y, a1,g1
72	093370	0501R43902	Convogliatore evaporatore 1 foro	Evaporator conveyor 1 hole	b,c,e,g,i,j,m,o,q,w,x,z, b1,c1,d1,e1,f1
73		853R31501	Morsettiera	Clamp	b,c,e,g,j
73		856R20402	Morsettiera	Clamp	a,d,f,h,v
73	093528	639R09900	Morsettiera	Clamp	i,m,o,x,z b1,c1,d1,e1, f1
73	093528	639R09900	Morsettiera	Clamp	l,n,p,y,a1,g1
73		856R31501	Morsettiera	Clamp	q,w up to 2022/41

PREMIUM CABINETS					CLASS C and A
Pos	Code	Factory code	Description	Descrizione	Ref/notes
73	093528	639R09900	Morsettiera	Clamp	q,w from 2022/42
73		856R20402	Morsettiera	Clamp	r,s,t,u up to 2022/41
73	093528	639R09900	Morsettiera	Clamp	r,s,t,u from 2022/42
74	093261	835R24100	Assieme Calotta	Evaporator cover	Up to 6181
74	095201	835R47601	Assieme Calotta schiumata	Foamed Evaporator cover	From 6191
*	095200	881R32401	Modulo Calotta TN	Evaporator cover Module TN	b,c,e,g,j,m,o,x,z, b1, c1,d1,e1
*		881R37301	Modulo Calotta TN remoto	Evaporator cover Module TN remote	w
*	095202	546R34400	Staffa per calotta schiumata	Support for foamed Evaporator	a
75	093262	14701R003	Neoprene espanso 8x13,3 nero (M4)	Gasket cover ( neoprene 8x13,3)	
76	093245	217555204	Vite senza punta x plastica	Cover screw	
77	093263	0546R19702	Tamponcino per tubi	Pipe cover insulation	
77	093614	0546R25800	Tamponcino per tubi	Pipe cover insulation	w
78	094425	546R26501	Copertura scatola impianto elettrico	Wiring box cover	Up to 2021/37
78a	093976	546R26701	Scatola impianto elettrico	Wiring box	Up to 2021/37
79	096636	694R00502	Filtro antisturbo	Electrical filter	
80	094845	0617R13600	Resistenza scarico condensa	Drain heating	a,d,f,h,k,l,n,p,r,s,v,y, a1,g1
81	093547	0514R12900	Molla per fissaggio resistenza scarico	Retaining spring for water heater discar.	a,d,f,h,k,l,n,p,r,s,v,y, a1,g1
82	094451	546R26800	Basamento gruppo	Basement	
83	093431	0830R06601	Condensatore a filo 5R	Wiring copndenser 5R	b,c,e,g,i,j,m,o,q,x,z, b1,c1,d1,e1,f1
84	093602	0546R24200	Convogliatore condensatore	Condenser cover	b,c,e,g,i,j,m,o,q,x,z, b1,c1,d1,e1,f1
85	093607	501R63701	Sgocciolatoio	Drainer	w
86	097289	617R26100	Resistenza evaporazione 100W	Water evaporation heating element	w
87	093606	501R63601	Bacinella evaporazione	Water condensation basin	w
88	093604	514R13101	Griglia protezione resistenza	Protection grid	w
89	095674	646R16000	Valvola termostatica - R448A	Thermostatic Valve - R448A	w
89a	089614	565717600	Isolante per valvola	Valve insulation	w
90	090229	525719000	Filtro meccanico a rete	Filter	w
91	094435	646R10502	Valvola solenoide	Solenoid valve	w
Page 4		Control panel		Pannello di controllo	Illustr:50156_p4
99		0881R49202	Cruscotto completo senza template	Panel complete without template	a,d,f,h
99		0881R48902	Cruscotto completo senza template	Panel complete without template	b,c,e,g
99		0880R50107	Cruscotto completo senza template	Panel complete without template	i,m,o up to 2021/37
99		0882R50101	Cruscotto completo senza template	Panel complete without template	l,n,p up to 2021/37
99		0883R27401	Cruscotto completo senza template	Panel complete without template	q up to 2021/37
99		0883R37200	Cruscotto completo senza template	Panel complete without template	j
99		0883R36900	Cruscotto completo senza template	Panel complete without template	k
99		0883R27600	Cruscotto completo senza template	Panel complete without template	r,s
99		0883R79500	Cruscotto completo senza template	Panel complete without template	l,n,p,g1 from 2021/38
99		0883R80601	Cruscotto completo senza template	Panel complete without template	t,u
99		0883R78902	Cruscotto completo senza template	Panel complete without template	i,m,o,c1,e1,f1 from 2021/38
99		0883R78601	Cruscotto completo senza template	Panel complete without template	q,w from 2021/38
99		0878R00F00	Cruscotto completo senza template	Panel complete without template	v
99		0883R80002	Cruscotto completo senza template	Panel complete without template	x,z,b1
99		0883R80002	Cruscotto completo senza template	Panel complete without template	d1 up to 2023/28
99		0883R80100	Cruscotto completo senza template	Panel complete without template	y
99		0883R79102	Cruscotto completo senza template	Panel complete without template	d1 from 2023/29

PREMIUM CABINETS					CLASS C and A
Pos	Code	Factory code	Description	Descrizione	Ref/notes
100	095169	0509R20503	Cruscotto comandi senza componenti	Panel 304 AISI without components	a,b,c,d,e,f,g,h
100	093265	0509R12604	Cruscotto comandi senza componenti	Panel 304 AISI without components	i,j,k,l,m,n,o,p up to 2021/37
100		509R24200	Cruscotto comandi senza componenti	Panel 304 AISI without components	q,r,s up to 2021/37
100		509R24201	Cruscotto comandi senza componenti	Panel 304 AISI without components	q,r,s,t,u,w from 2021/38 Up to 2022/41
<b>100</b>		<b>509R26800</b>	<b>Cruscotto comandi senza componenti</b>	<b>Panel 304 AISI without components</b>	<b>q,r,s,t,u,w from 2022/42</b>
100		509R24601	Cruscotto comandi senza componenti	Panel 304 AISI without components	i,j,k,l,m,n,o,p,v,x,y,z,a1, b1,c1,d1,e1,f1,g1 from 2021/38
101	094035	640R02100	Micro porta	Switch	a,b,c,d,e,f,g,h,i,j,k,l,m, n,o,p,v,x,y,z,a1,b1, c1,d1,e1,f1,g1
<b>101</b>	<b>094035</b>	<b>640R02100</b>	<b>Micro porta</b>	<b>Switch</b>	<b>q,r,s,t,u,w from 2022/42</b>
<b>101a</b>	<b>092353</b>	<b>546R12100</b>	<b>Protezione micro</b>	<b>Door switch protection</b>	<b>i,j,k,l,m,n,o,p,v,x,y,z, a1,b1,c1,d1,e1,f1,g1</b>
<b>101a</b>	<b>092353</b>	<b>546R12100</b>	<b>Protezione micro</b>	<b>Door switch protection</b>	<b>q,r,s,t,u,w from 2022/42</b>
102	093609	0832R10100	Cerniera per cruscotto dx	Hinge for panel (right)	
102a	093610	0832R10200	Cerniera per cruscotto sx	Hinge for panel (left)	
103	093345	0833R20900	Serratura	Lock	
103	093433	0833R21100	Serratura	Lock	q,t,u,w
104	093385	0855R11300	Ass.mascherina porta/cruscotto Apx	Complete template door and panel	a,h
104	093382	0855R11000	Ass.mascherina porta/cruscotto Apx	Complete template door and panel	b,g
104	093381	0855R10900	Ass.mascherina porta/cruscotto Zan	Complete template door and panel	c
104	093384	0855R11200	Ass.mascherina porta/cruscotto Zan	Complete template door and panel	d
104	093380	0855R10801	Ass.mascherina porta/cruscotto Elux	Complete template door and panel	e
104	093383	0855R11101	Ass.mascherina porta/cruscotto Elux	Complete template door and panel	f
105	093437	0646R10602	Termoregolatore ir33 premium pc	Thermoregulator premium	a,b,c,d,e,f,g,h
<b>105</b>	<b>093532</b>	<b>0646R10803</b>	<b>Termoregolatore ir33 IMEL1J0545</b>	<b>Thermoregulator IMEL1J0545</b>	<b>i,l,m,n,o,p Up to 2022/41 Order KIT 097586 See TB VTX2022_08</b>
<b>105</b>	<b>093434</b>	<b>0646R11101</b>	<b>Termoregolatore ir33 IMEL1J0548</b>	<b>Thermoregulator IMEL1J0548</b>	<b>j,k Up to 2022/41 Order KIT 097586 See TB VTX2022_08</b>
<b>105</b>	<b>093434</b>	<b>0646R11101</b>	<b>Termoregolatore ir33 IMEL1J0548</b>	<b>Thermoregulator IMEL1J0548</b>	<b>q,r,s,t,u,w up to 2022/48 Order KIT 097628 See TB VTX2023_02</b>
<b>105</b>	<b>097579</b>	<b>855R18400</b>	<b>Termoregolatore Carel IJF</b>	<b>Thermoregulator Carel IJF</b>	<b>From 2022/42 Up to 2024/19 Except for q,r,s,t,u,w</b>
<b>105</b>	<b>097579</b>	<b>855R18400</b>	<b>Termoregolatore Carel IJF</b>	<b>Thermoregulator Carel IJF</b>	<b>From 2022/49 Up to 2024/19 q,r,s,t,u,w</b>
<b>105</b>	<b>09A1NM</b>	<b>855R0BY00</b>	<b>Termoregolatore Carel IJF</b>	<b>Thermoregulator Carel IJF</b>	<b>From 2024/20</b>
106	093810	0855R12701	Led +supporto	Led-lamp + support	a,b,c,d,e,f,g,h,j,o,x,z,f1
<b>106</b>	<b>093810</b>	<b>0855R12701</b>	<b>Led +supporto per termoregolatore IR33</b>	<b>Led-lamp + support for thermoregulator IR33</b>	<b>q,r,s,t,u,w up to 2022/41</b>
<b>106</b>		<b>0855R0A000</b>	<b>Led +supporto per termoregolatore IJF</b>	<b>Led-lamp + support for thermoregulator IJF</b>	<b>q,r,s,t,u,w from 2022/42</b>
107	093386	0546R19501	Supporto scheda led	Support led-lamp	a,b,c,d,e,f,g,h,q,w
108	093387	0546R19600	Protezione scheda led	Protection led-lamp	a,b,c,d,e,f,g,h,j,o,r,s,t,u, q,w,x,z, b1,d1,e1,f1
109		648R05501	Scheda led depotenziata per termoregolatore IR33	Led-lamp board for thermoregulator IR33	a,b,c,d,e,f,g,h

PREMIUM CABINETS					CLASS C and A	
Pos	Code	Factory code	Description	Descrizione	Ref/notes	
109		648R05501	Scheda led depotenziata per termoregolatore IR33	Led-lamp board for thermoregulator IR33	q,r,s,t,u,w up to 2022/41	
109		648R02J00	Scheda led depotenziata per termoregolatore IJF	Led-lamp board for thermoregulator IJF	q,r,s,t,u,w from 2022/42	
110	093390	569R05900	Guarnizione per scheda led	Ledlamp board gasket	a,b,c,d,e,f,g,h,q,r,s,t,u,w	
111	093269	541R05401	Tappo per cerniera porta	Door hinge plug		
112	093391	639R10400	Morsetto	Clamp		
113	*	0855R10400	Ass. mascherina cruscotto Apx	Assembled template panel Apx	a,h	
113	*	0855R10100	Ass. mascherina cruscotto Apx	Assembled template panel Apx	b,g	
113	*	0855R10000	Ass. mascherina cruscotto Zan	Assembled template panel Zan	c	
113	*	0855R10300	Ass. mascherina cruscotto Zan	Assembled template panel Zan	d	
113	*	0855R09900	Ass. mascherina cruscotto Elux	Assembled template panel Elux	e	
113	*	0855R10200	Ass. mascherina cruscotto Elux	Assembled template panel Elux	f	
114	*	0546R20100	Cornice mascherina cruscotto Z/Apx	Template frame for panel Z/Apx	a,b,c,d,g,h	
114	*	0546R20000	Cornice mascherina cruscotto Elux	Template frame for panel Elux	e,f	
115	*	0855R10700	Ass. mascherina porta Apx	Assembled template door Apx	a,b,g,h	
115	*	0855R10600	Ass. mascherina porta Zan	Assembled template door Zan	c,d	
115	*	0855R10500	Ass. mascherina porta Elux	Assembled template door Elux	e,f	
116	*	0546R20300	Cornice mascherina porta Z/Apx	Control door frame Z/Apx	a,b,c,d,g,h	
116	*	0546R20200	Cornice mascherina porta Elux	Control door frame Elux	e,f	
*	093491	0217541085	Vite per fissaggio mascherina M3x8	Screws M3X8 for control door/panel		
117	*	639R06800	Connettore dritto 3 vie	Connector 3 ways right		
117	*	639R06900	Connettore dritto 7 vie	Connector 7 ways right		
117	099740	*	Connettore 90° 7 vie	Connector 7 ways 90°		
117	099741	*	Connettore 90° 5 vie	Connector 5 ways 90°		
117	088998	*	Connettore 90° 3 vie	Connector 3 ways 90°		
117	099743	*	Connettore 90° 3 vie piccolo	Connector 3 ways 90° small		
117	099742	*	Connettore 90° 2 vie	Connector 2 ways 90°		
117	091682	*	Connettore 90° 4 vie	Connector 4 ways 90°		
117	091684	*	Connettore 90° 5 vie	Connector 5 ways 90°		
117	097578	0639R04V00	Connettore femmina 3 vie	Connector 3 ways female	i,j,k,l,m,n,o,p, q,r,s,t,u, v,w,x,y,z,a1,b1,c1, d1,e1,f1,g1 - From 2022/42	
*	093180	639R09600	Convertitore spina UK	UK plug converter		
118	095023	598R81601	Membrana Electrolux	Electrolux membrane	j,k,o up to 2021/37	
118	095022	598R81500	Membrana Zanussi	Zanussi membrane	m up to 2021/37	
118	095024	598R81701	Membrana neutra	Neutral membrane	i,l	
118		598R98503	Membrana Elux Prof con luce	Elux Prof with light membrane	q,s,u,w - Elux Prof Up to 2022/41	
118	097612	595R75500	Membrana Elux Prof con luce	Elux Prof with light membrane	q,s,u,w - Elux Prof From 2022/42	
118		598R99100	Membrana Zanussi	Zanussi membrane	q,r - Zanussi Up to 2022/41	
118	097614	595R75700	Membrana Zanussi	Zanussi membrane	q,r - Zanussi From 2022/42	
118		598R99200	Membrana Alpen	Alpen membrane	q - Alpen Up to 2022/41	
118	097613	595R75600	Membrana Alpen	Alpen membrane	q - Alpen From 2022/42	
118	097058	598R98603	Membrana Zanussi	Zanussi membrane	m,n,z,a1,b1,c1 - Zanussi from 2021/38	

PREMIUM CABINETS					CLASS C and A
Pos	Code	Factory code	Description	Descrizione	Ref/notes
118	096577	598R98301	Membrana Elux Prof	Elux Prof membrane	j,o,p,v,x,y,d1,e1,f1,g1 - Elux Prof from 2021/38
118		598R99100	Membrana Zanussi	Zanussi membrane	t
119	094389	501R37403	Protezione	Protection	q,r,s,t,u up to 2021/43
119	097245	504R35000	Protezione	Protection	q,r,s,t,u,w from 2021/44 Up to 2022/41
119	097576	504R39300	Protezione	Protection	q,r,s,t,u,w From 2022/42
119	093975	546R26601	Protezione	Protection	i,j,k,l,m,n,o,p,v Up to 2022/41
119	097576	504R39300	Protezione	Protection	i,j,k,l,m,n,o,p,v,x,y,z, a1,b1,c1,d1,e1,f1,g1 From 2022/42
119	097292	504R24301	Protezione	Protection	a,b,c,d,e,f,g,h
120	093354	501R37502	Staffa per protezione	Support fro protection	i,j,k,l,m,n,o,p Up to 2021/37
120		504R24400	Staffa per protezione	Support fro protection	q,r,s - Up to 2021/37
121	0L0113	140088006	Guarnizione	Gasket	a,b,c,d,e,f,g,h,q,r,s